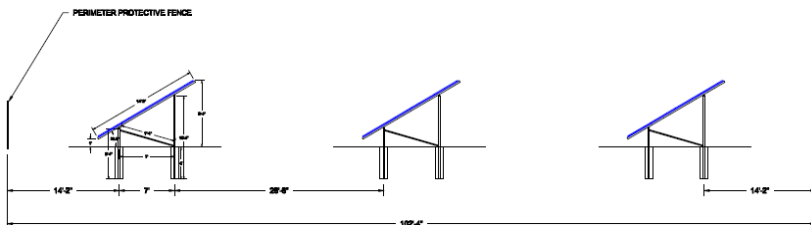


EXECUTIVE SUMMARY:

- Feasibility Study –Site Analysis
- Load Calculations
- Life Cycle Cost Analysis
- Site Selection
- Comprehensive Design, Documentation, Construction
- Installation
- Commissioning and System Performance Validation
- Grant and Incentives Documentation
- Monitoring

PROJECT DESCRIPTION:

The Bellair Farm project is a 45.75kW grid-tied solar electric system. Aurora Energy provided a turnkey solution including site analysis, engineering, design and installation. The system included the installation of 150 ground mounted solar m, 5 grid-tied inverters, remote monitoring system and utility interconnection. The monitoring system is available on any computer with an internet connection to provide live system production data.



Bellair Farm

45.75kW

TITLE AND LOCATION:

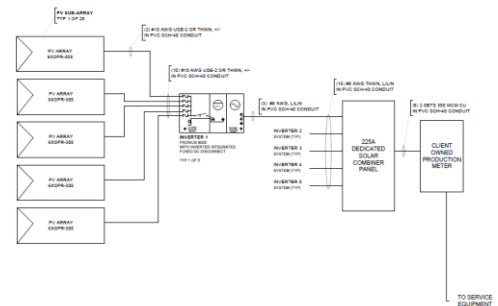
Solar Array Feasibility Study and Installation, Charlottesville, VA

PROJECT OWNER:

Bellair Produce, LLC

COMPLETION DATE:

June 2010



www.aurora-energy.com

Phone: (410) 505-4848

Fax: (410) 997-0779

E-Mail: info@aurora-energy.com